

A

● B

●

●

●

●

●

●

●

●

●

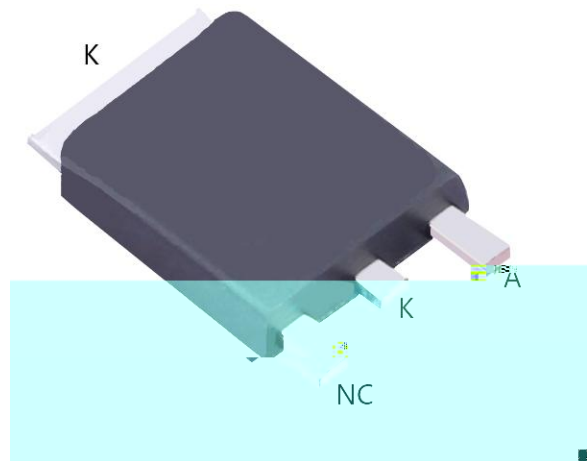
●

●

●

CC C

C



	C	
	A	



	B				
	C C				A
	C				A
	A				
	A				
	C				
B			±		
			±		

A

	CC					
	CC					
&						
	A					
	A					
NMOS						

A

1.

A

2. NMOS

A

A

3. RC

A

CC
C

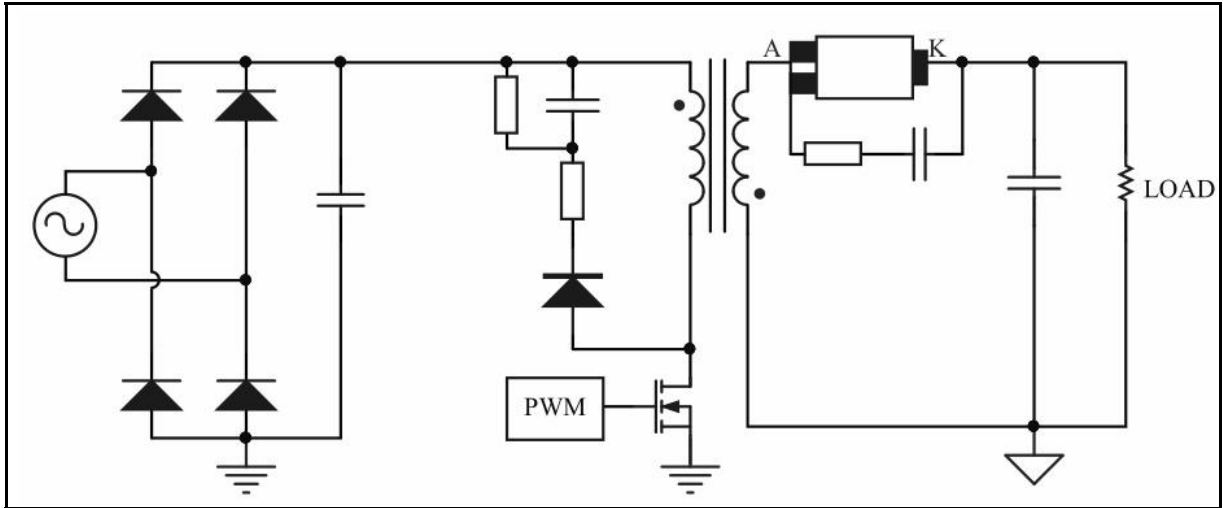
4. NMOS

C

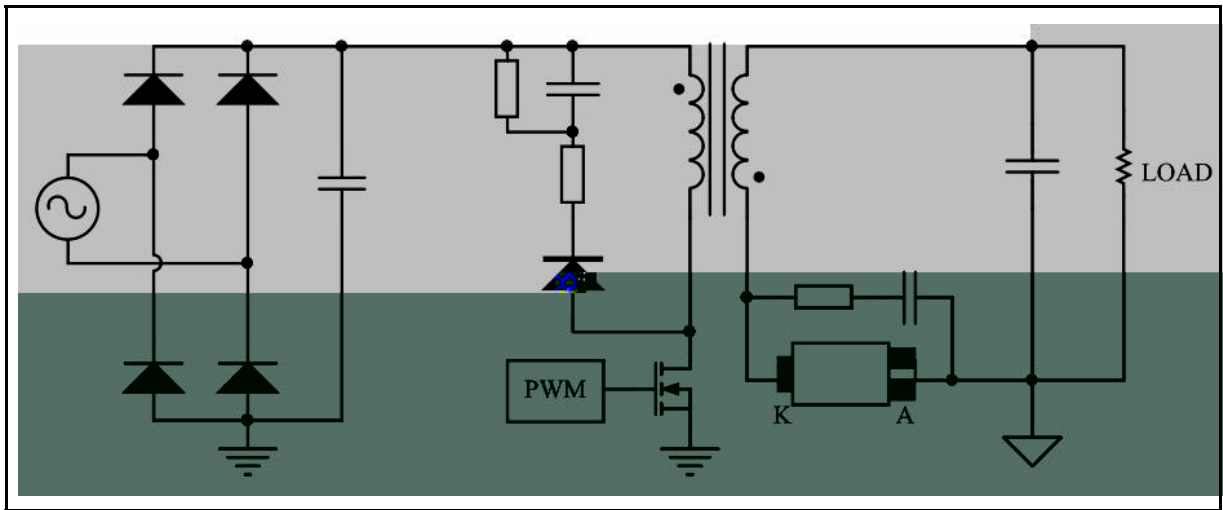
5.



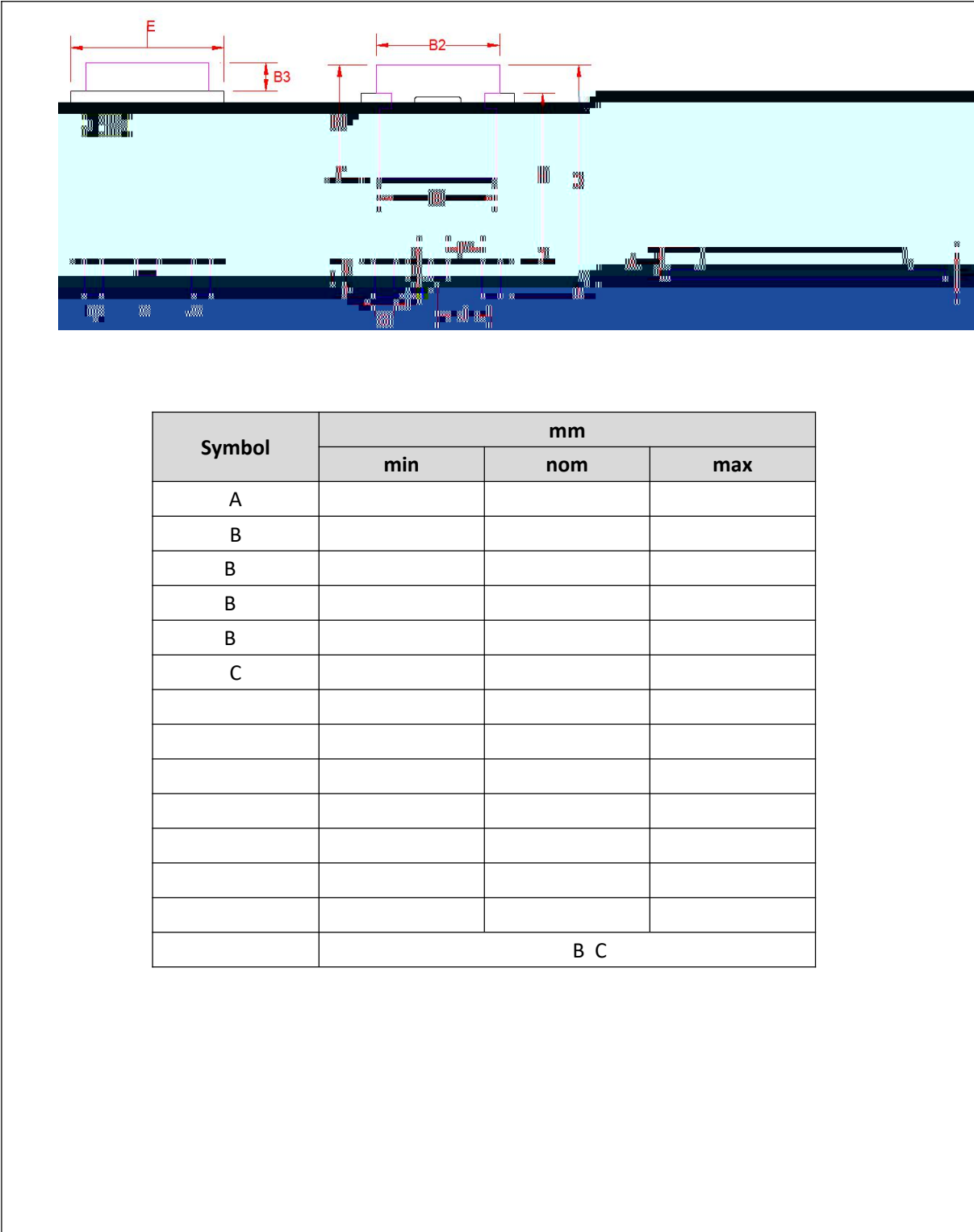
1.



2.



TO-252



Symbol	mm		
	min	nom	max
A			
B			
B			
B			
B			
C			
		B C	

 <p>WARNING! ESD SENSITIVE DEVICE</p>	ESD
---	-----

- ▼
- ▼
- ▼
- ▼
- ▼
- ▼
- ▼
- ▼