



De\$cri%tion

! " \$ % "

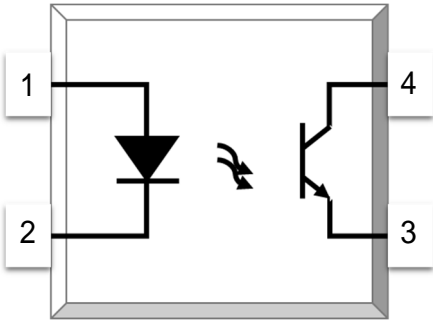
Feat&re\$

& ' () * + , * - % , ' . / , 00 (/ , * 1 , & & + 2 0 * % 32 . 320 ' ') 1 . 14 (' ' . . 5) 1 (66 . 7 , 8 , 9 : ; "0\$:66;6

A%%lication\$

-
-
- &
- <

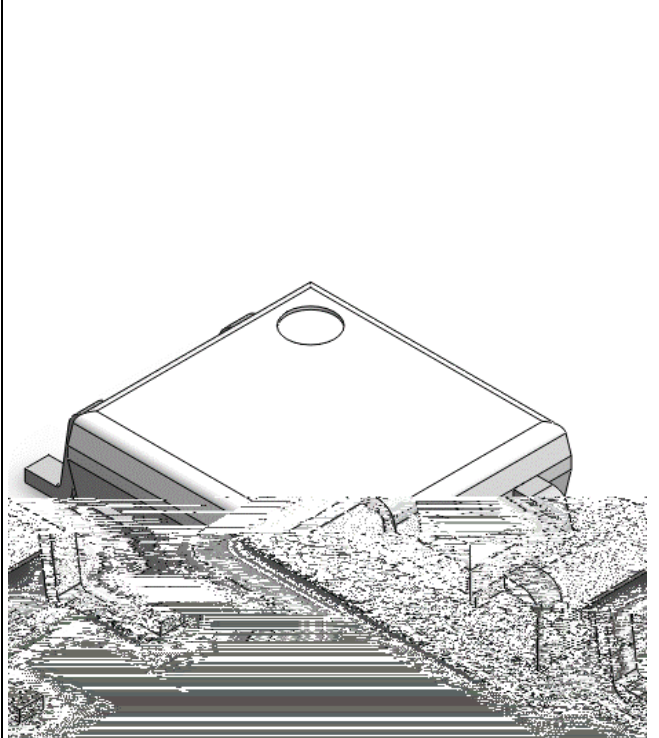
SCHEMATIC



PIN DEFINITION

1. Anode
2. Cathode
3. Emitter
4. Collector

PAC A!E O" T#INE





A 'SO#"TE MA(IM"M)ATIN!S

* +1 1*	=+ : 2) 231	34>	4	1
>4 3					
? ,	>?	(
! ? ,	>?	0			0
* %))*)		
>	>	0((#		
3 3					
, .1)),1	6()		
1 . ,))1,	')		
, ,	> ,	(
		0 (#		
, ++ 4					
		@((#		
>))	(()		@
		. A00(/ ,		
		. A0@	/ ,		
		@ (/ ,		

! "#\$ %
&' () ! " * + , - .



E#ECT) ICA# OPTICA# CHA) ACTE) ISTICS at Ta*2+,C

* +1 1*	=+ : 2	+>4	= " + B" 34>	1 , 4 > > 4	4 1		
>4 3							
?))?	.	0"@ 0")	>?C0(
* % ,	>*	.	.	0(D) * C)		
> ,	,	.	0(.	?)C(\$ CO!&E		
3 3							
, ! ,	>,1	.	.	0(() , 1C@()\$>?C(
, .1 : !)	:) ,1	6(.	.) >, C("0 \$>?C(
1 ' , : !)	:) 1,	'	.	.) >1C("0 \$>?C(
* 4 ?1* , & * , 1*> > ,							
,	:	,	,	*	F	>?C \$) , 1C)	
							(. ((
							6(. 0 (
							0 (. @ (
							@((. ((
							((. ((
							. 0@
							0((. @((
							0 (. @ (
@ (. ((
, .1)) , 15 7	.	(" ("@))	>?C@ (\$ > , CO		
> *	* >	0(GO@ 0(GO	.	H	, (()\$ (A (F * "&"		
? ,	, >	.	(" 0	?)C(\$ CO+&E		
, . ? <		.	6(.	!&E) , 1C@\$> , C@ *2CO((H\$. :		
* 5* 7		.		06 D) , 1C@\$> , C@		
* 5? 7		.		06 D	*2CO((H		

(/ 0
+ (/ +



CHARACTERISTICS - ES

Fig. 1 Forward Current vs. Ambient Temperature

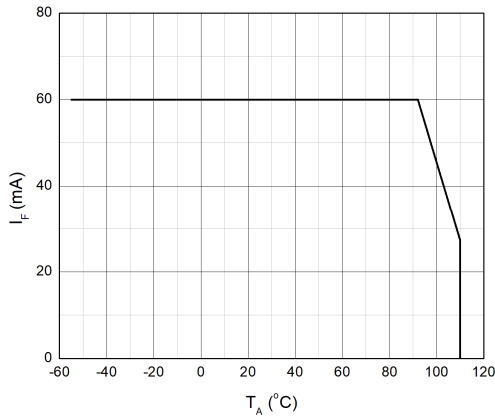


Fig. 2 Collector Power Dissipation vs. Ambient Temperature

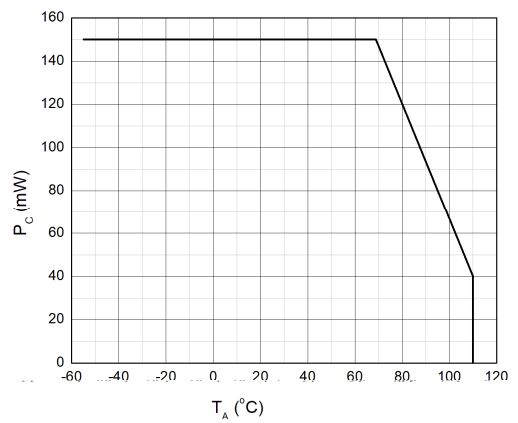


Fig. 3 Forward Current vs. Forward Voltage

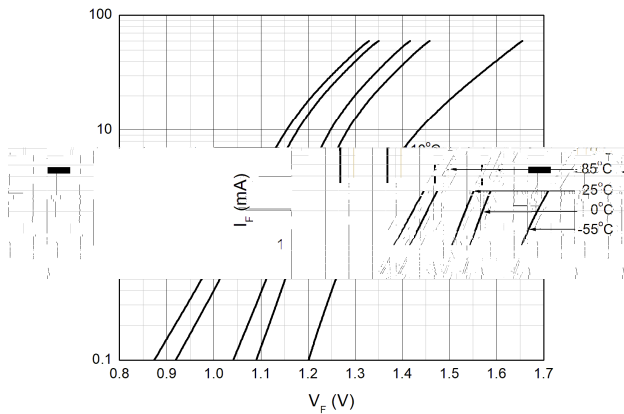


Fig. 4 Collector Current vs. Ambient Temperature

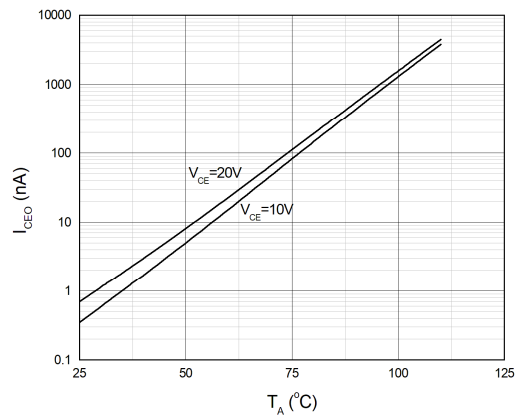


Fig. 5 Collector Current vs. Collector-Emitter Voltage

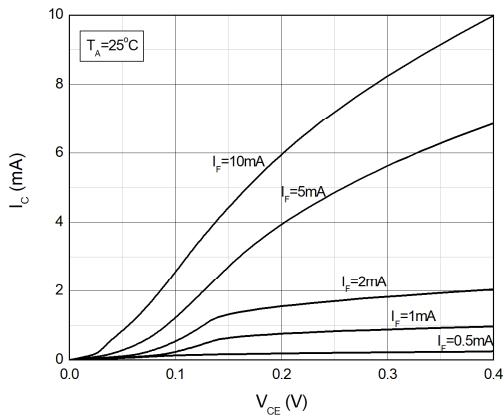
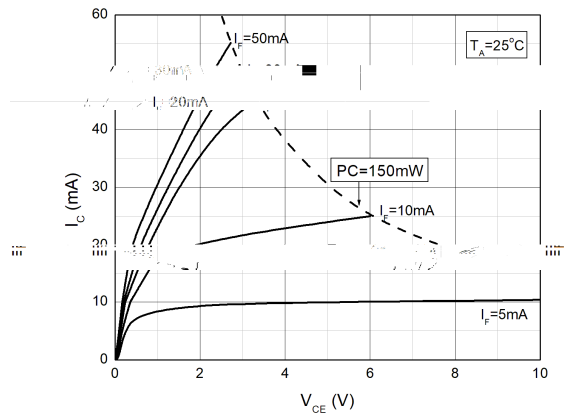


Fig. 6 Collector Current vs. Collector-Emitter Voltage





CHARACTERISTIC CURVES

Fig. 5 Normalized Current Transfer Ratio vs. Collector Current

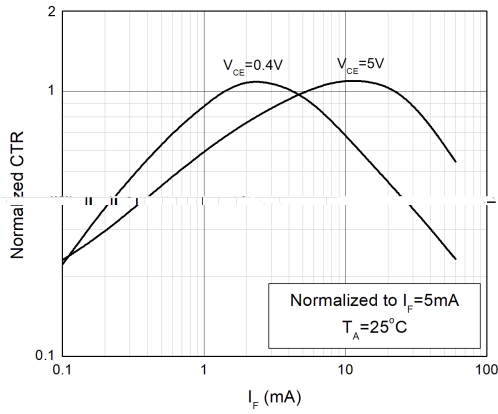


Fig. 8 Normalized Current Transfer Ratio vs. Ambient Temperature

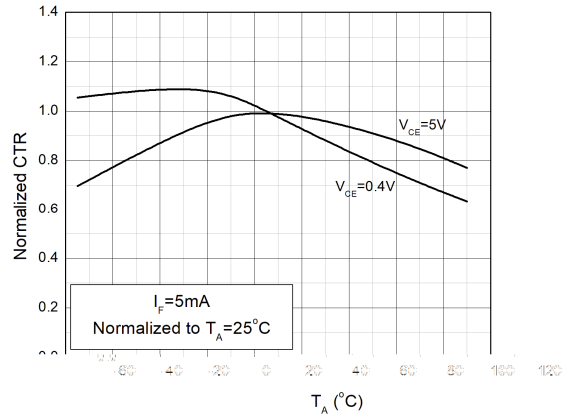


Fig. 9 Collector-Emitter Saturation Voltage vs. Ambient Temperature

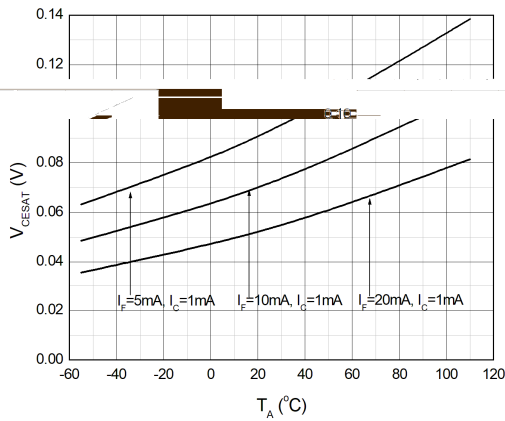


Fig. 10 Switching Time vs. Load Resistance

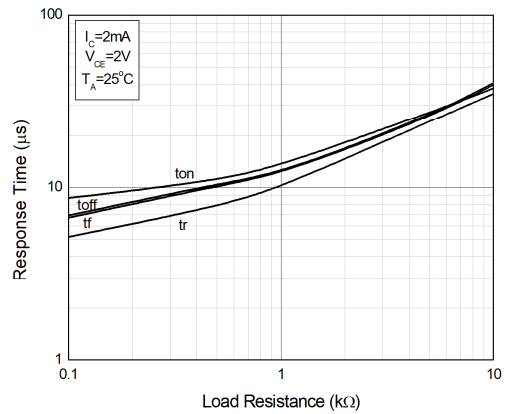
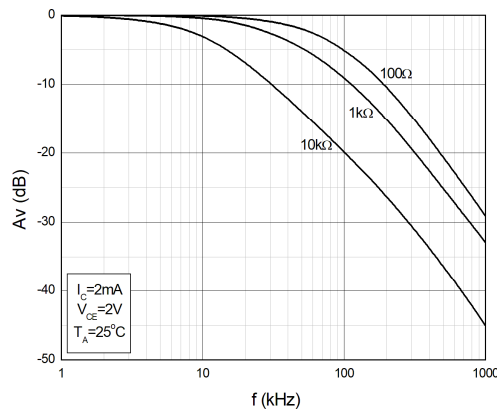


Fig. 11 Frequency Response



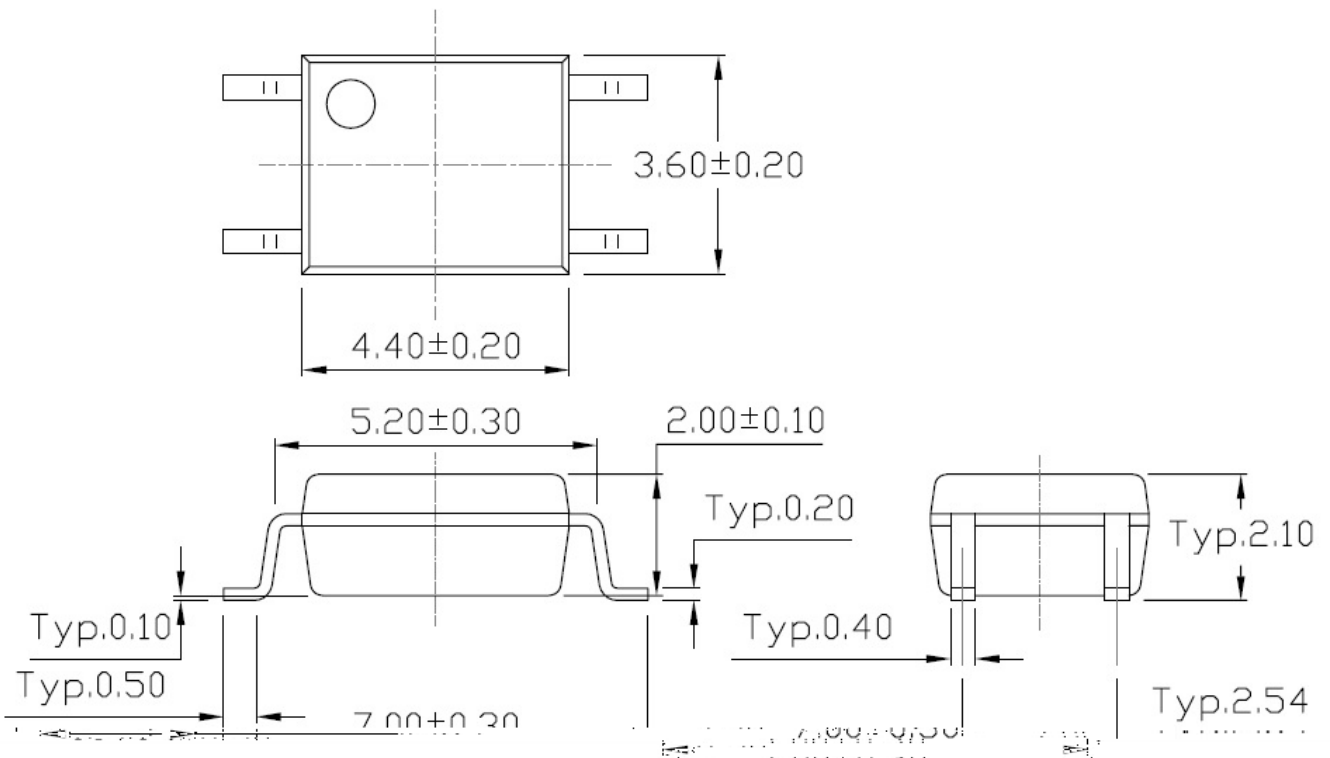


TEST CIRCITS

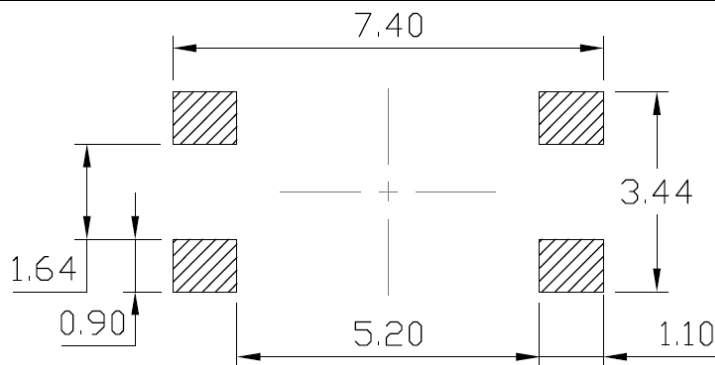
Fi..12 Test Circuit of)e\$%on\$e Time

Fi..13 Circuit of)e\$%on\$e Time

PAC A ! E DIMENSIONS (Dimension\$ in mm & nle\$\$ other / i\$e \$tated=

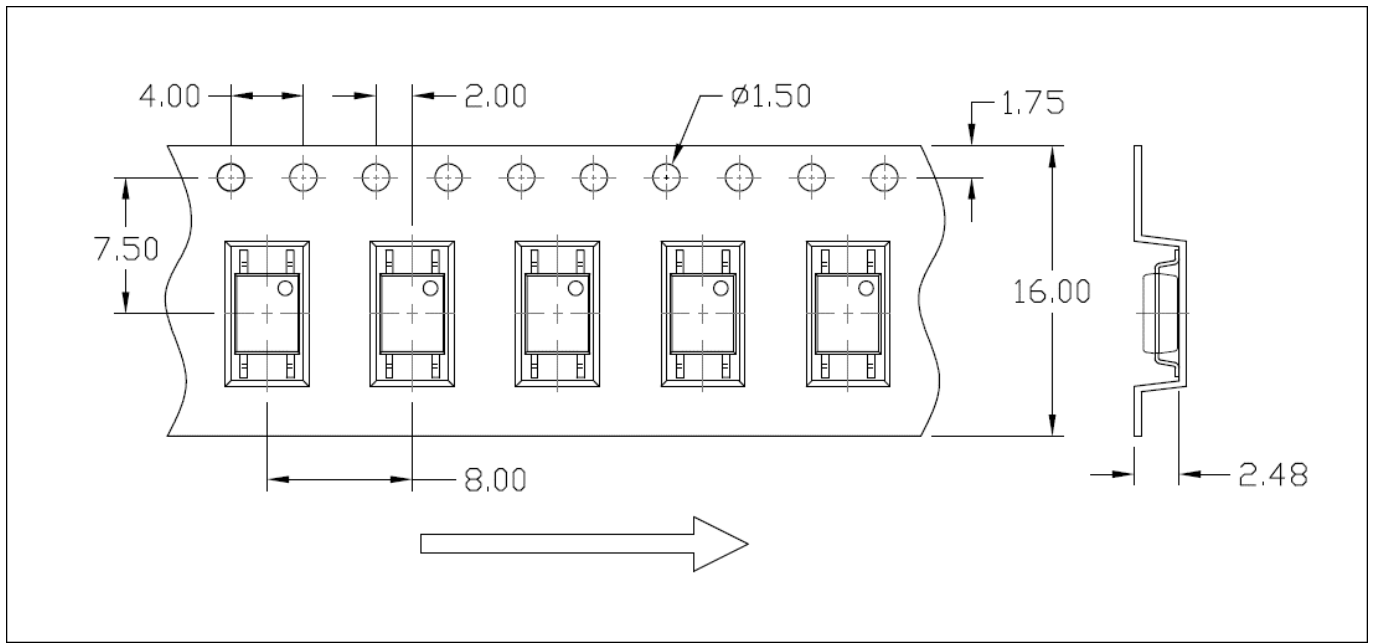


) ecommended Solder Ma\$2 (Dimension\$ in mm & nle\$\$ other / i\$e \$tated=

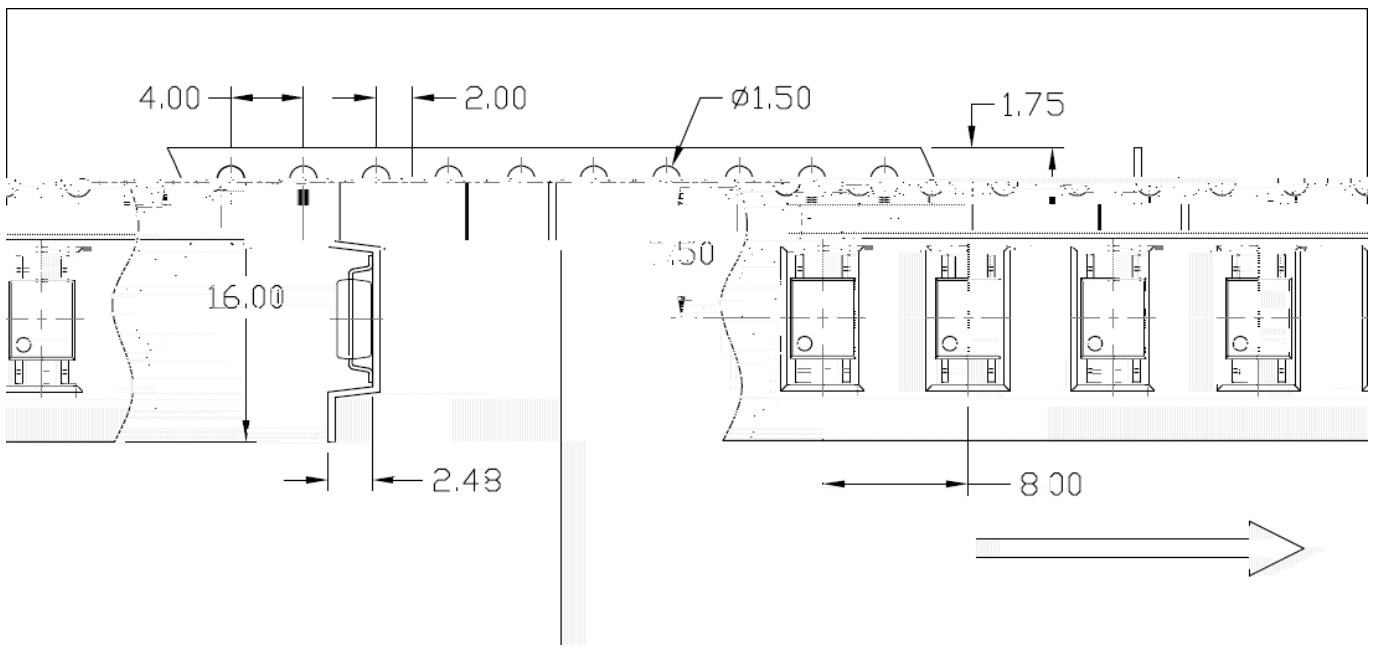


CA) IE) TAPE SPECIFICATIONS (Dimension\$ in mm &nle\$\$ other / i\$e \$tated=

O%tion T1



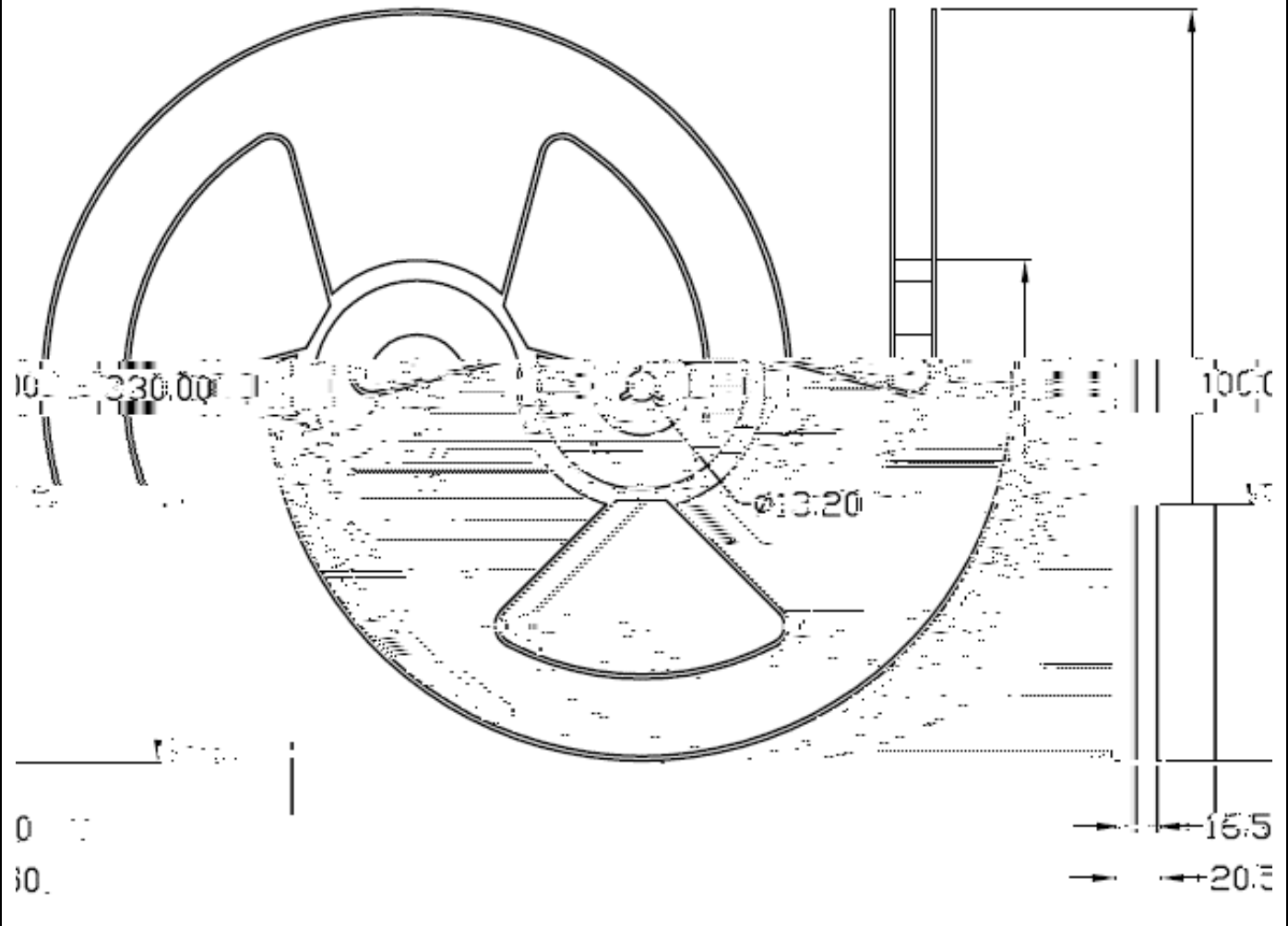
O%tion T2





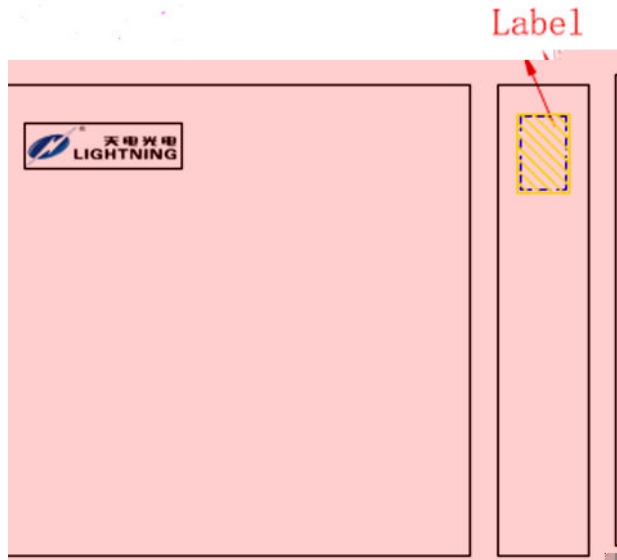
) EE# SPECIFICATIONS (Dimension\$ in mm & nle\$\$ other / i\$e \$tated=

O%tion T1 > T2



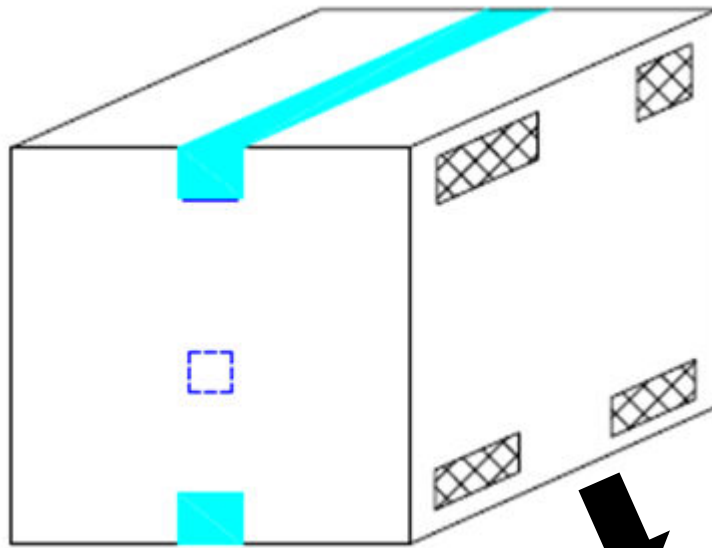
' O(SPECIFICATIONS () eel T<%e=

Inner ' o?

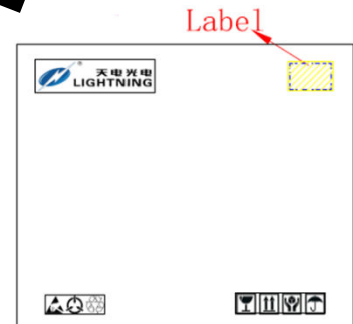


1232" * - 2 - 2-

O&ter ' o?



1232" * + 2 4 2 4





O)DE)IN! AND MA) IN! INFO)MATION

MA) IN! INFO)MATION

	<p>TD @ Com%an< A11r.</p> <p>3+4 @ Part N&m1er</p> <p>(@ CT))an2</p> <p>- @ -DE O%tion</p> <p>A @ Fi\$cal Aear</p> <p>A @ Man&7act&rin. Code</p> <p>B B @ Bor2 Bee2</p>
--	--

O)DE)IN! INFO)MATION

#A'E# INFO)MATION

<p>TD3+4 (CD=3! -</p>	
<p>9 , "</p> <p>9 4</p> <p>B 9 * ! 5 ! : ! , ! 4 7</p> <p>J 9 * 5 0 ! @ 7</p> <p>9</p> <p>) 9) 1 5) 4 7</p>	

PAC IN! E" ANTITA

O%tion	E&antit<	E&antit< F Inner 1o?	E&antit< F O&ter 1o?
0	(((3 I*	* } -	> -I - C ! 3
@	(((3 I*	* } -	> -I - C ! 3



)EF#OB INFO)MATION

)EF#OB P)OFI#E

Pro7ile Feat&re

Sn3P1 A\$\$em1l< Pro7ile

P13Free A\$\$e



DISC#AIME)

2> & 4>4 % < \$ \$ " 2> & 4>4
% ! "
% "
2> & 4>4 ! \$ " -
- \$ 2> & 4>4 5 7
\$ 5 7 \$ \$
< \$ 5 7 \$
\$ < \$ % \$ 1% < \$
\$. " "
\$ \$ % \$ \$
% L "
2> & 4>4 < "
> || "
% % %
% " \$ \$ %
|| - "
2> & 4>4 || \$
- " ! \$. ">
"